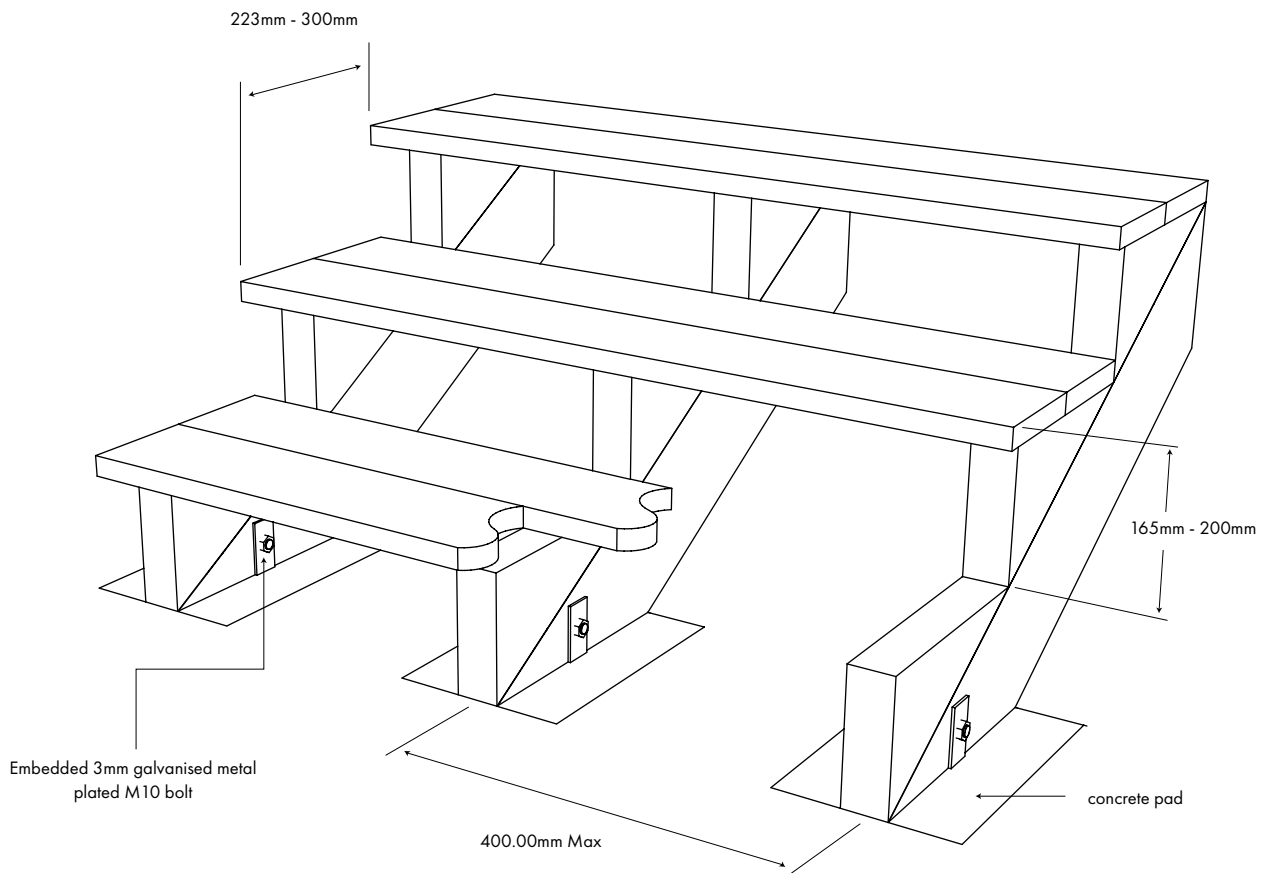


The following instructions are a guide only, please work in conjunction with Building Regulations (specifically, Part K) if you need to do so. You may also need to add balustrade, consult with Building Regulations or local planning officer for guidance.

Timber Framed Steps

- How to construct using pre-fabricated stringers.
- You can use ecodek[®] Signature or Heritage deck boards 2-up to make the step surface (also known as the 'going').
- If you butt the boards together, then you will achieve a total 'going' of 276mm (total 'going' allowed is 223mm – 300mm).
- The 'nosing' or overhanging front lip of the step must be at least 16mm. The difference in height between 2 consecutive steps (also known as the 'rise') must be between 165mm and 200mm in this situation.
- Ensure bearer spacing is 400mm max, 2 screws per board, per bearer. Step sub-frame should be securely anchored to the ground, preferably on concrete pads.



Covering Concrete Steps

- When covering concrete steps with ecodek® Signature or Heritage deck boards, it is imperative to leave at least a 10mm drainage cavity under the deck boards and where the inside edge of the deck board meets the riser.
- Should you wish to clad the risers also, then you will need to lift that 10mm off the surface as well. This is to ensure that water has a free and easy route down the back of the ecodek® steps (and rise covers if fitted).
- In this example, we have used a nominal 10mm x 40mm insert strip as a packer between the concrete and ecodek® Signature or Heritage deck boards, you could use a waterproof media such as plastic or stiff rubber. In this situation, you cannot use composite deck screws and must instead use a concrete approved screw such as 'Tapcon®'. 'going' of 276mm (total 'going' allowed is 223mm – 300mm).
- The 'nosing' or overhanging front lip of the step must be at least 16mm. The difference in height between 2 consecutive steps (also known as the 'rise') must be between 165mm and 200mm in this situation.
- The concrete screw must go through the decking, packer and into the concrete holding the whole assembly in compression. 2 screws per deck board, per packer. You may have to check whether your steps comply with Building Regulations.
- For gapping details please refer to full Installation Instructions at www.ecodek.co.uk. Please ensure bearer spacing is 305mm max, 2 screws per board, per bearer.
- Step sub-frame should be securely anchored to the ground, preferably on concrete pads.

