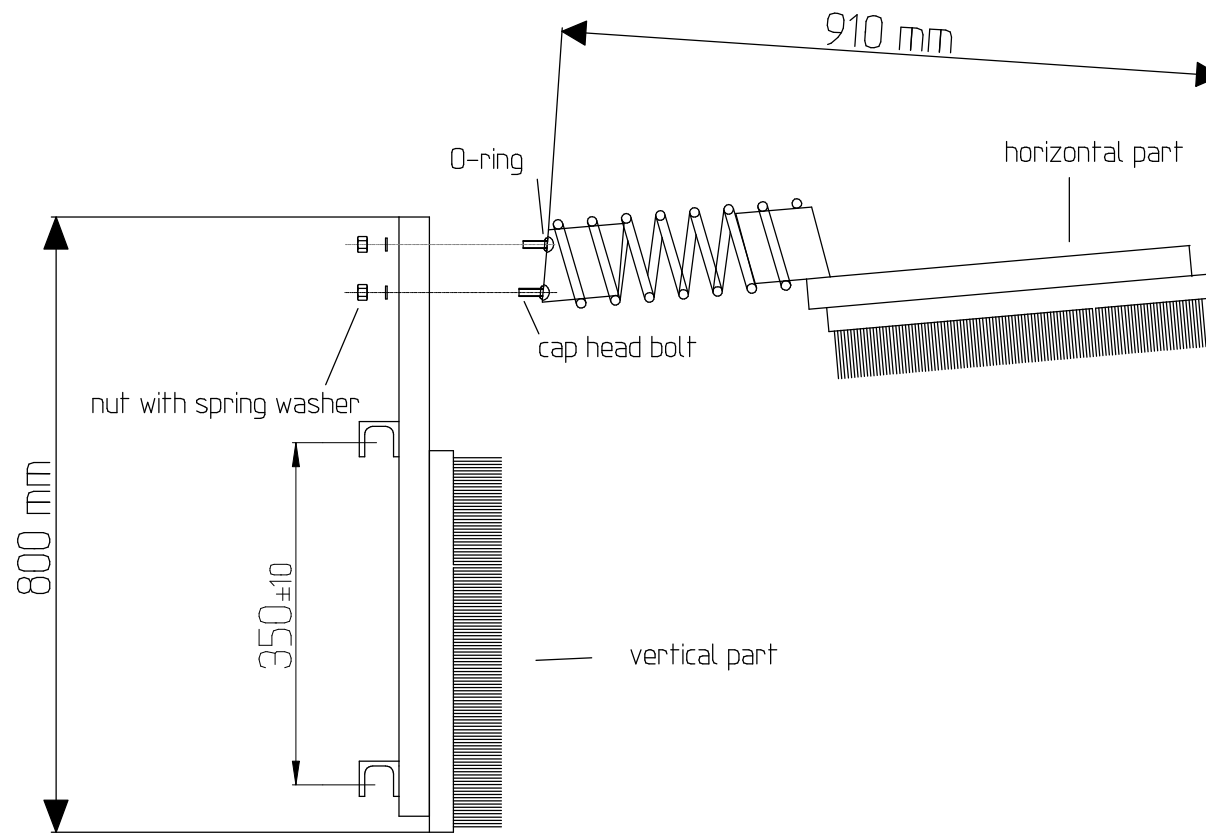


assembling instructions cattlebrush



all holes are 12 mm

distance between the fastening holes of the wall brackets is 90 mm (2,5 ")