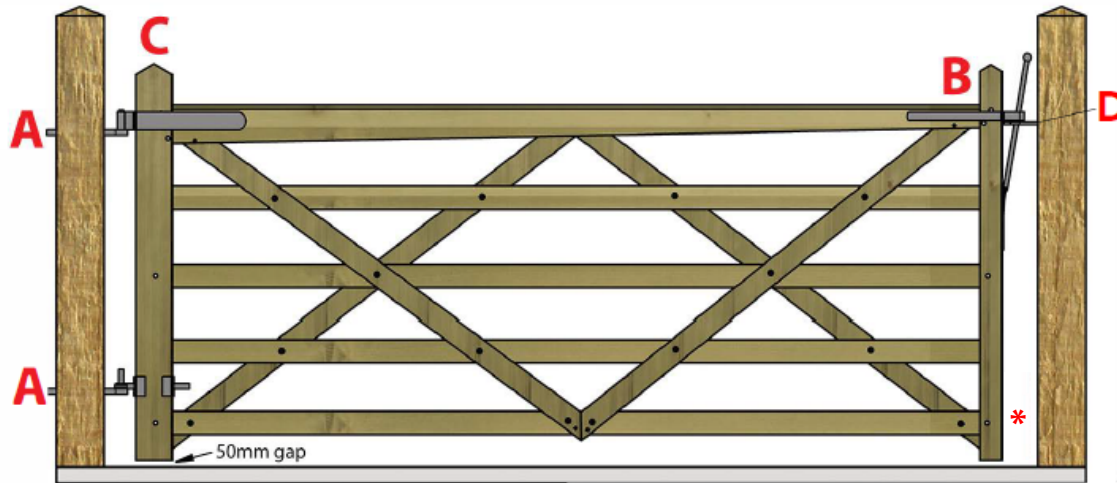


SINGLE 5 BAR GATE HUNG BETWEEN POSTS

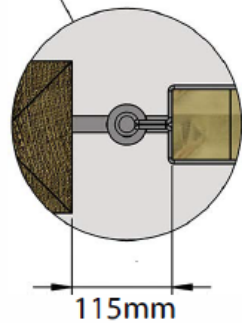


CHARLTONS
QUALITY INGRAINED
GATES AND FENCING

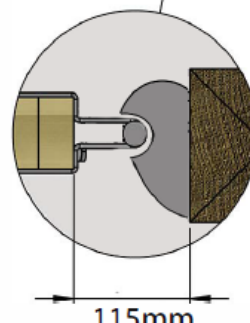


View looking out from property

Top view



115mm



115mm

- A** = Adjustable double strap field hinge set
- B** = Spring latch & keep set
- C** = Hanging stile
- D** = Central Closing Field Gate Catch
(if gate is to be opened in both ways)

Sizes given are quoted using the fittings supplied by Charltons and are a guide only.

We recommend an experienced installer fit manual gates. Gates must be hung from the larger hanging stiles (**C**) unless it is a universal gate with both stiles the same size.

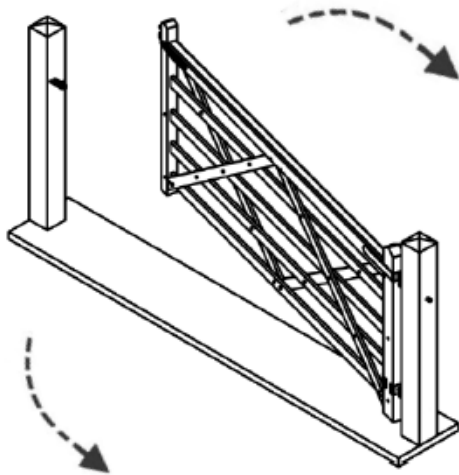
Automated electric gates must have a heavy duty rail. Gates should be fitted by a qualified installer.

Please note that this configuration can be prone to twisting as the bottom of the gate (*) is not resting against a post so we do recommend treatment with a modern UV oil to help alleviate this.

If gate is being left in the open position a drop bolt & socket should be fitted so that the drop bolt can be used to secure the gates whilst open (no more than 90° degrees to the post so that the gate does not bend or excess pressure put on the hinges). Leaving the drop bolt loose, especially in gravel, can lead to the gate warping or being damaged.

The gate can open 90° degrees into and out of property

Property



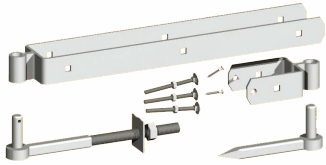
*Roadside

Property

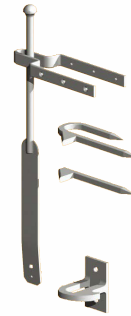


*Roadside

Fittings for manually installed gates



Adjustable double strap
field hinge set x 2



Spring latch & keep set



Central closing
latch



Drop bolt & socket set
(if gate to be left open)

Recommended posts

| Gate Width | Gate Height | Post Recommended |
|---------------------------------|---------------|-------------------------------------|
| 3'0" - 915mm to 4'0" - 1220mm | 3'7" - 1090mm | 7' x 5" x 5" - 2.1m x 125mm x 125mm |
| 5'0" - 1525mm to 7'0" - 2130mm | 3'7" - 1090mm | 7' x 6" x 6" - 2.1m x 150mm x 150mm |
| 8'0" - 2440mm to 14'0" - 4270mm | 3'7" - 1090mm | 7' x 7" x 7" - 2.1m x 175mm x 175mm |

Treatment

Pressure treatment protects the timber against wood rot and insect attack. These treatments do not provide all round protection against weathering. The elements and UV rays will slowly degrade the effectiveness of the pressure treatment. We therefore recommend that all planed timber gates are treated with a modern UV Oil. This is particularly important when hanging a pair of 5 Bar gates as it will help alleviate potential warping due to weathering and UV rays.

For more information please visit <https://charltonsgates.com/timber-treatment-gate-care/>