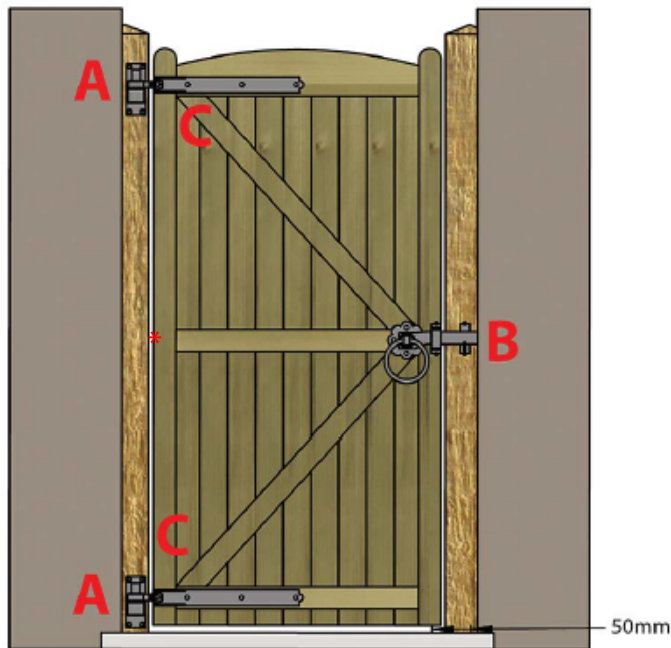


# SIDE GATE/GARDEN GATE HUNG BETWEEN WALLS



**CHARLTONS**  
QUALITY INGRAINED  
GATES AND FENCING

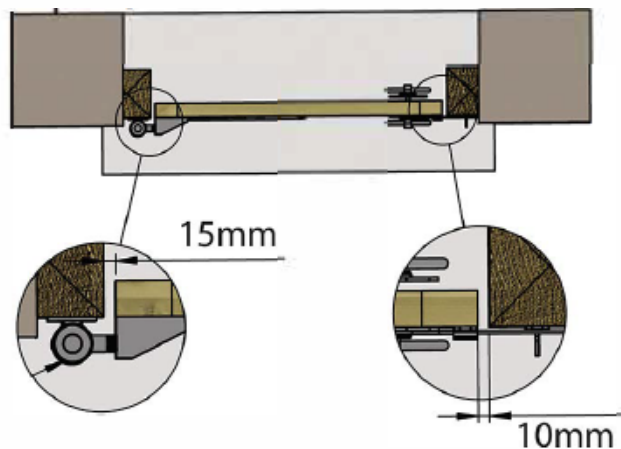


View looking out from property

- A** = Cranked band & hook pin on plate hinge set  
(T hinges can be used \* a third hinge is recommended on the middle brace)
- B** = Ring latch
- C** = Hanging

Sizes given are quoted using the fittings supplied by Charltons and are a guide only. We recommend an experience installer fit the gate.

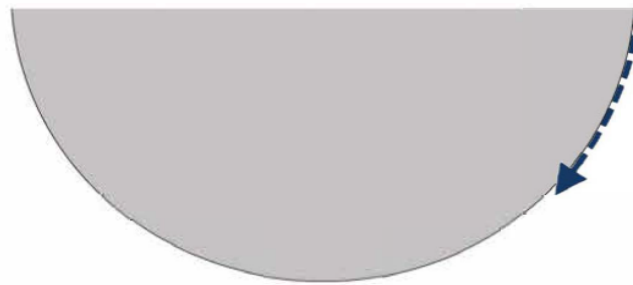
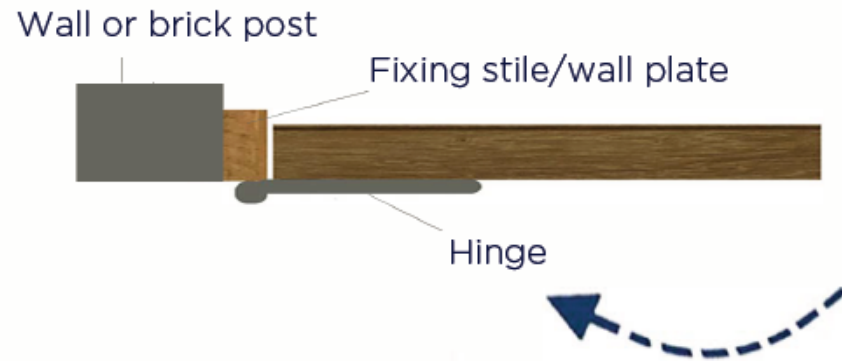
Top view



Charltons Pedestrian Gate range are universal hang i.e. can be hung from either side.

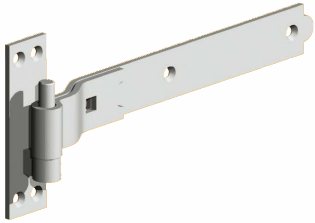
However, ideally on taller & heavier gate hinges should be placed on the side with both braces in the corners (**C**) for maximum support of the gate.

Gate will open 180° assuming no obstruction

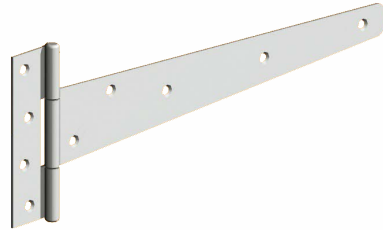


Property side

## Fittings



Cranked band & hook pin  
on plate hinge set



T hinges



Ring latch

## Gate post recommendations

Gate Width	Gate Height	Minimum Post Recommended
3'0" - 915mm to 3'6" 1.067m	3'6" (1.067m) to 4'0" - (1.220m)	7' x 4" x 4" - 1.8m x 100mm x 100mm
	5'0" (1.525m- 6'0" - 1.830m	8' x 4" x 4" - 2.4m x 100mm x 100mm

## Treatment

Pressure treatment protects the timber against wood rot and insect attack. These treatments do not provide all round protection against weathering. The elements and UV rays will slowly degrade the effectiveness of the pressure treatment. We therefore recommend that all planed timber gates are treated with a modern UV Oil.

For more information please visit <https://charltonsgates.com/timber-treatment-gate-care/>