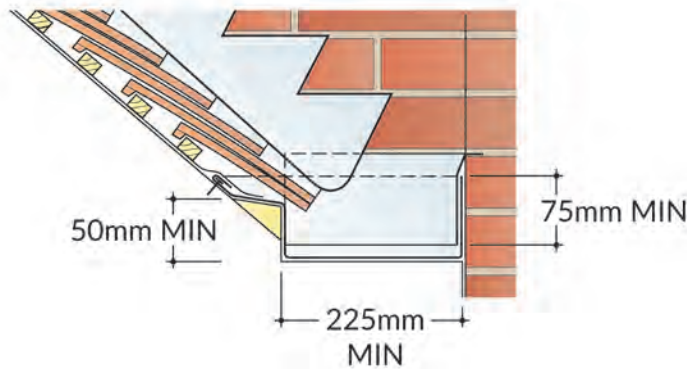


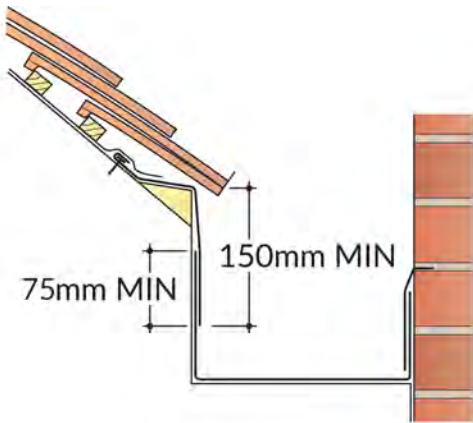


Parapet and tapered gutters

A. Cross section of parapet gutters



B. Cross section of box gutter



For details of maximum sizes, see table 2.

C. Measurement of girth

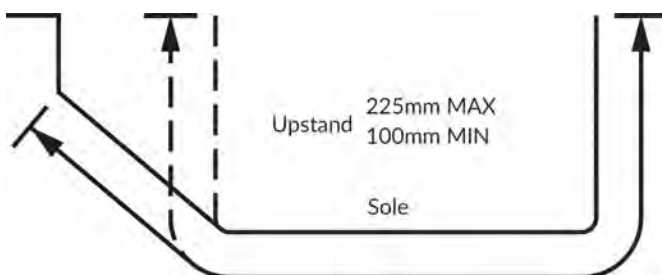
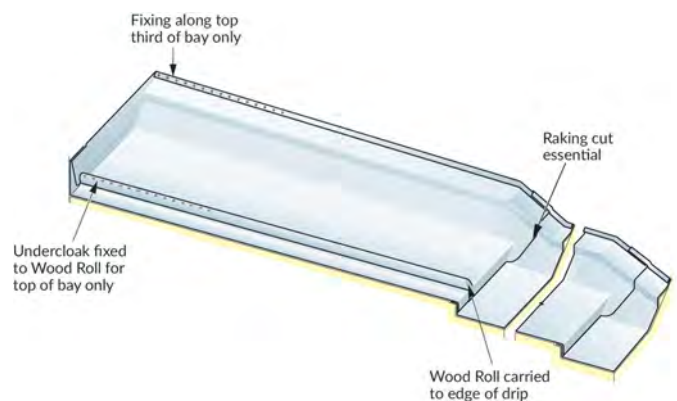


Table 2

Gutter dimensions		
BS EN 12588 Code No	Maximum length between drips (mm)	Maximum overall girth (mm)
4	1500	750
5	2000	800
6	2250	850
7	2500	900
8	3000	1000

D. Tapered gutter details



E. Cross section of tapered gutter

